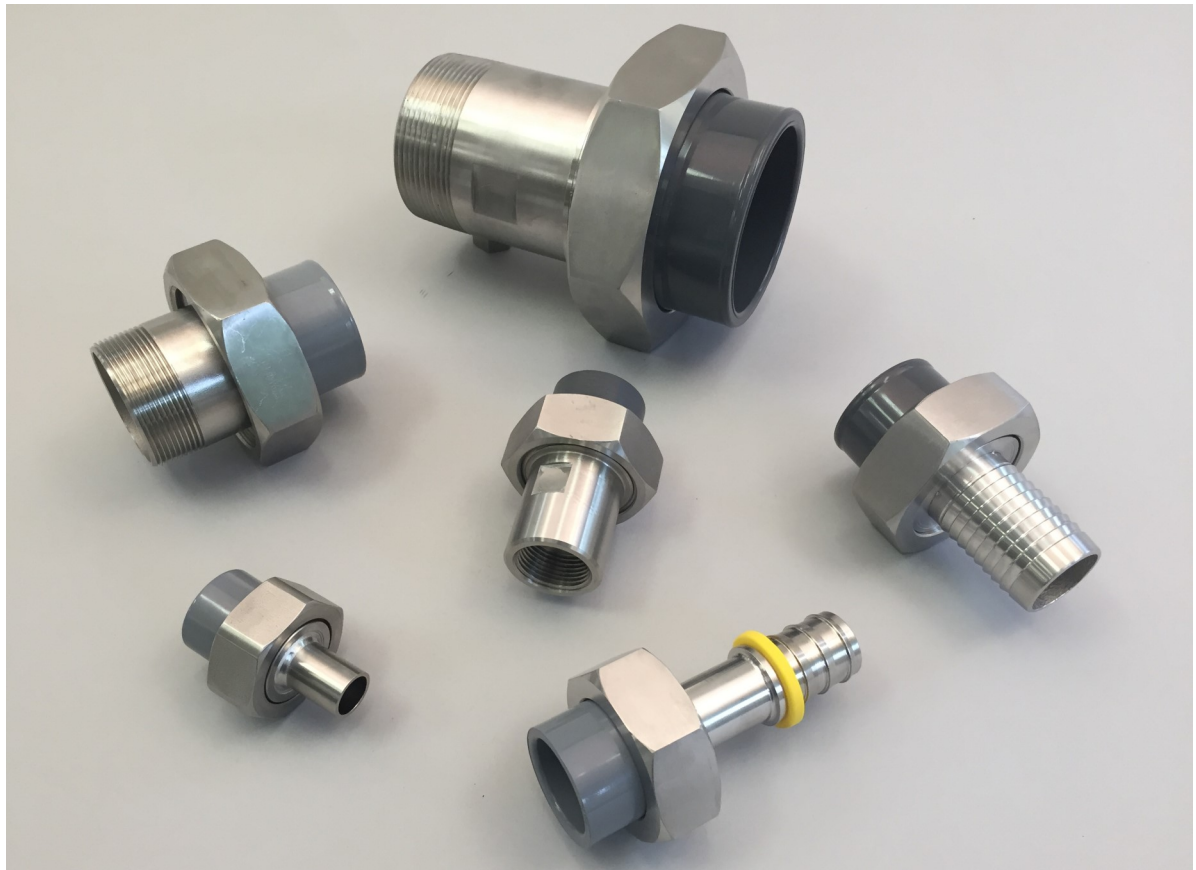


Evans Stainless - PVC/CPVC/SS

Transition Fitting

(Optional SS material both sides)

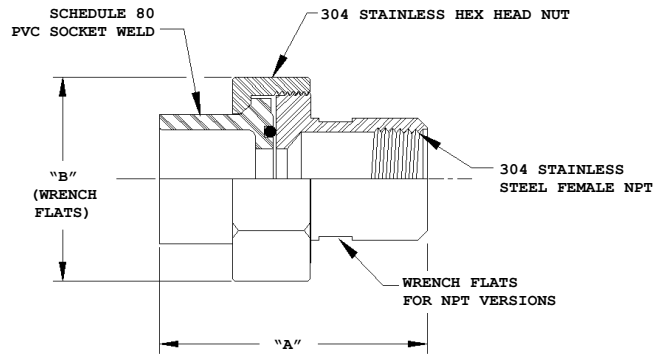
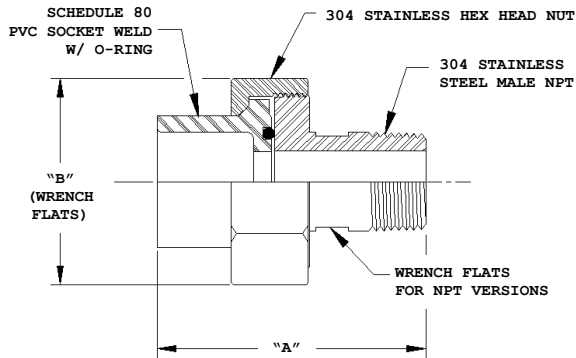


PW Series Fittings

- 1/2" - 3" Sizes
- SS x PVC/CPVC/SS material
- 300 Stainless Steel Union Nut
- Fitting cannot be damaged from over tightening
- Rated to 235 psig / 16 Bar maximum pressure
- (PVC) 140°F / 60°C, (CPVC) 210°F / 98°C max temperature rating
- O-ring material EPDM

Evans Stainless - PVC Transition Fitting

Part Number Matrix



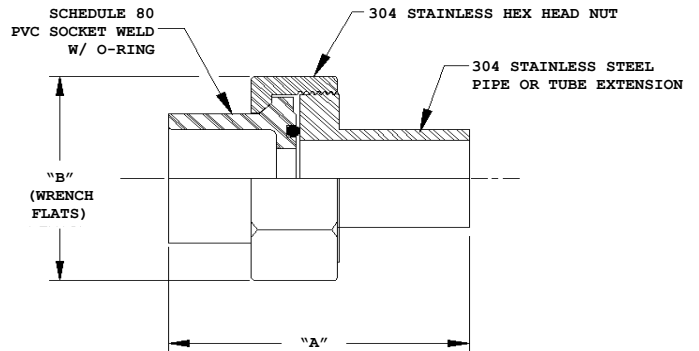
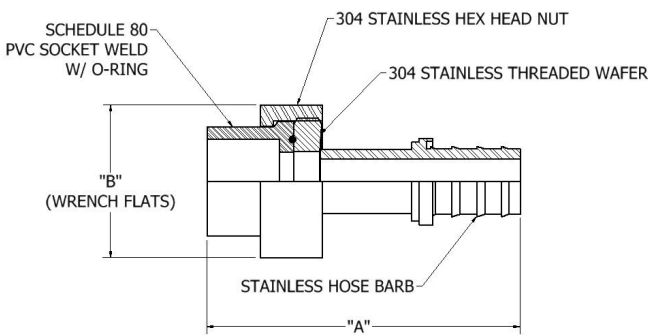
Base Part Number	Size	Dimension "A"	Dimension "B"
PW-08**-SPU-M	1/2"	3.1"	1-5/8"
PW-12**-SPU-M	3/4"	3.2"	2-1/4"
PW-16**-SPU-M	1"	3.7"	2-5/8"
PW-24**-SPU-M	1-1/2"	3.9"	3-1/2"
PW-32**-SPU-M	2"	4.0"	4.0"
PW-40**-SPU-M	2-1/2"	7.14"	5.39"
PW-48**-SPU-M	3"	7.36"	5.39"

Base Part Number	Size	Dimension "A"	Dimension "B"
PW-08**-SPU-F	1/2"	3.1"	1-5/8"
PW-12**-SPU-F	3/4"	3.2"	2-1/4"
PW-16**-SPU-F	1"	3.7"	2-5/8"
PW-24**-SPU-F	1-1/2"	3.9"	3-1/2"
PW-32**-SPU-F	2"	4.0"	4.0"
PW-40**-SPU-F	2-1/2"	3.19"	5.39"
PW-48**-SPU-F	3"	4.97"	5.39"

Dimensions are +/- 0.1"

Dimensions are +/- 0.1"

**PS -- PVC Schedule 80 Pipe Socket (Standard)
 **CS – CPVC Schedule 80 Pipe Socket (Optional),



Base Part Number	Size	Dimension "A"	Dimension "B"
PW-08**-SPU-HB	1/2"	3.56"	1.80"
PW-12**-SPU-HB	3/4"	4.17"	1.875"
PW-16**-SPU-HB	1"	4.89"	2.39"
PW-24**-SPU-HB	1-1/2"	4.64"	3.60"
PW-32**-SPU-HB	2"	4.69"	4.18"

Base Part Number	Size	Dimension "A"	Dimension "B"
PW-08**-SPU-*	1/2"	3.1"	1-5/8"
PW-12**-SPU-*	3/4"	3.2"	2-1/4"
PW-16**-SPU-*	1"	3.7"	2-5/8"
PW-24**-SPU-*	1-1/2"	3.9"	3-1/2"
PW-32**-SPU-*	2"	4.0"	4.0"
PW-40**-SPU-*	2-1/2"	7.14"	5.39"
PW-48**-SPU-*	3"	7.36"	5.39"

Dimensions are +/- 0.1"

NOTE: Product availability and specifications contained herein are subject to change without notice. Consult local distributor or factory for potential revisions.

*G - 304L Schedule 10 Pipe Extension
 *TS - 316L Tube Stub

05/18