



Options

- Available Size Range: 1/4" (6.4mm) thru 1" (25.4mm)
- Optional 5 Micron Sintered Filter



Features

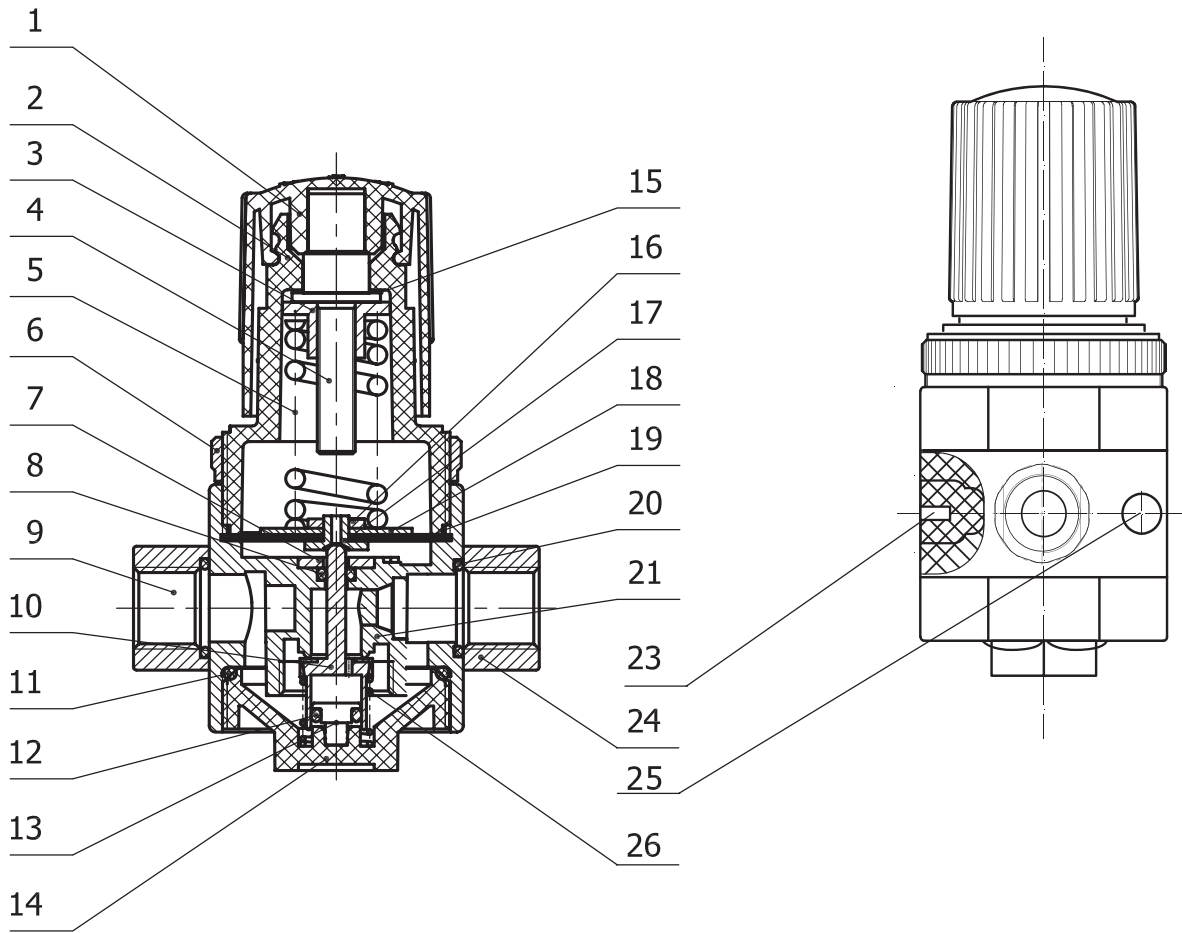


- Oxygen cleaned and packaged
- Self-relieving regulator design
- Low Cost
- Stainless ball valve with locking handles
- High flow medical grade Aluminum regulator with NBR (Nitrile/Buna N) diaphragm
- Push to lock regulator adjustment knob
- Reduced number of mechanical connections and potential leak points
- Stainless compression end connections, 1/4" - 1" (6.4 mm-25.4 mm)
- Full port ball valve design
- Gauge: 0-160 psig (0 - 11 bar), 2" dial, stainless steel design
- 100% Helium leak tested to 1 X 10⁻⁷ scc/sec
- Designed with enough clearance between components for Unistrut mounting with Cush Clamp
- Regulator can be isolated upstream with ball valve and removed from service if necessary

Series	Size Range	Max Inlet Pressure	Operating Temperature	Outlet Pressure Range
ES	1/4" - 1/2"	230 psig (16 Bar)	32°F to 140°F (0°C to 60°C)	5 - 175psig (0.5 - 12 Bar)
EM	1/2" - 3/4"	230 psig (16 Bar)	32°F to 140°F (0°C to 60°C)	5 - 175psig (0.5 - 12 Bar)
EL	1"	230 psig (16 Bar)	32°F to 140°F (0°C to 60°C)	5 - 175psig (0.5 - 12 Bar)

SERIES	Cv	Kv
ES	2.03	1.76
EM	8.13	7.03
EL	12.19	10.54

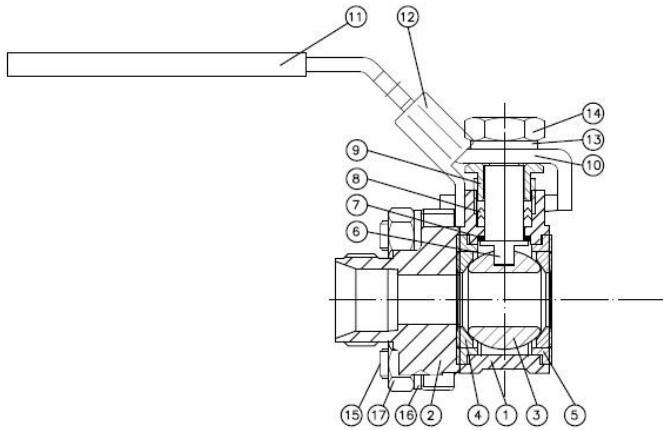
Regulator Materials of Construction



No.	Item	Material
1	Pressure Knob	POM
2	Regulator cap	POM
3	Regulator nut	S35C
4	Adjusting spindle	S35C
5	Pressure spring	SWC
6	Fixed ring	6061-T6
7	Membrane	NBR-(Nitrile)
8	O-Ring	NBR-(Nitrile)
9	Flange-IN	Zinc Alloy
10	Spool	Brass
11	O-Ring	NBR-(Nitrile)
12	O-Ring	NBR-(Nitrile)
13	Fasteners	Brass

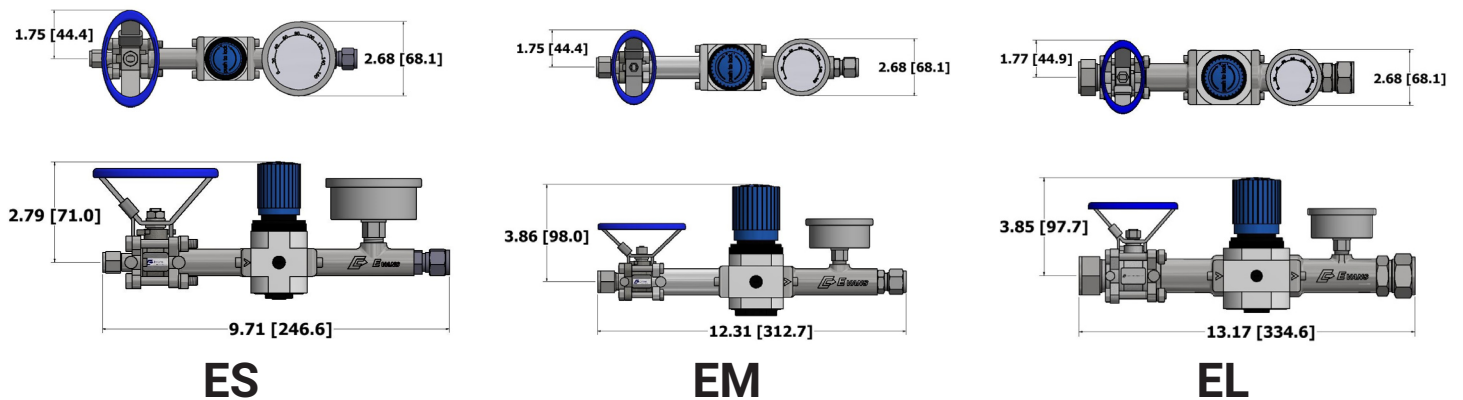
No.	Item	Material
14	Cover	Zinc Alloy
15	Wearing sheet	Insulation sheet
16	Sheet	NBR-(Nitrile)
17	Overflow base	6061-T6
18	Diaphragm support	SPCC
19	Diaphragm	NBR-(Nylon)
20	O-Ring	NBR-(Nitrile)
21	OR Body	Zinc Alloy
22	Plug	POM
23	O-Ring	NBR-(Nitrile)
24	Flange-OUT	Zinc Alloy
25	Allen bolt	S35C
26	Spring	SWP-B

Ball Valve Materials of Construction



No.	Item	Material	QTY
1	Body	CF8	1
2	Cap2 (Lok)	CF8	1
3	Ball	CF8	1
4	Seat	PTFE	2
5	Gasket	PTFE	2
6	Stem	SS304	1
7	Stem Seal	PTFE	1
8	Stem Packing	PTFE	1
9	Gland Nut	SS304	1
10	Handle	SS304	1
11	Handle Sleeve	VINYL	1
12	Locking Device	SS304	1
13	Handle Washer	SS304	1
14	Handle Nut	SS304	1
15	Body Bolt	SS304	4
16	Washer	SS304	4
17	Nut	SS304	4

Dimensions



Part Number Matrix

SA - 1 - 23 - 4 - 5

EXAMPLE: SA-EM-8C-160-5M

Medium E-Stick with 1/2" compression ends, 0-160 gauge, 5 micron filter

SA - Stainless/Aluminum

1. Series

ES	Small	(1/4" - 1/2")
EM	Medium	(1/2" - 3/4")
EL	Large	(1")

2. Connection Size

4	1/4"	(6.4 mm)
6	3/8"	(9.6 mm)
8	1/2"	(12.7 mm)
12	3/4"	(19.1 mm)
16	1"	(25.4 mm)

3. Connection Type

C	Compression (Stainless)
M	Stainless tube stub
PL	Presslok
M	Male NPT
F	Female NPT

4. Gauge

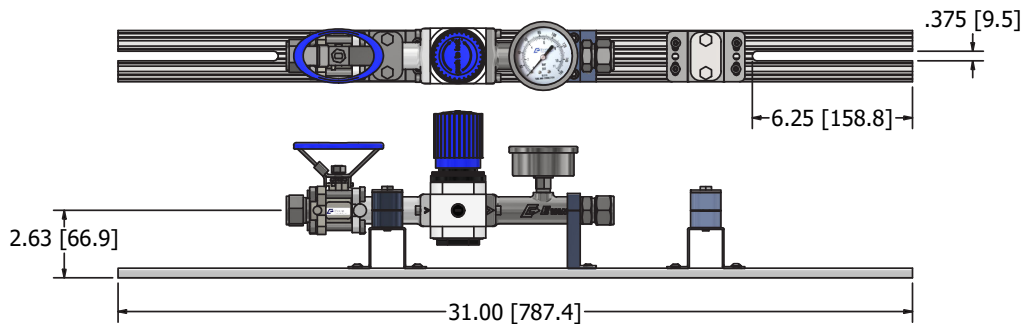
160	0-160 psig (0-11 bar)
PT2	0-150psig (0-10.3 bar) Stainless pressure transducer, 4-20 mA (6 foot cable included)

5. Options

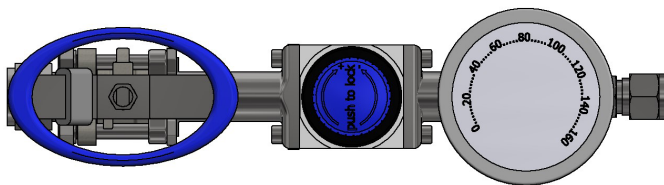
5M	5 Micron Filter
X	No Filter
T9L	GasPro 811 filter (.003 micron) 1/4" (6.4 mm)
T8L	GasPro 811-8 filter (.003 micron) 1/2" (12.7 mm)
T58L	GasPro 511-8 filter (.003 micron) 1/2" (12.7 mm)
T512L	GasPro 511-12 filter (.003 micron) 3/4" (19.05 mm)
T416L	GasPro 411-16 filter (.003 micron) 1" (25.4 mm)
90	Gauge rotated 90° (see below)
U	Adjustable Mounting Rail

Optional E-stick Mounting on Slotted Aluminum Rail

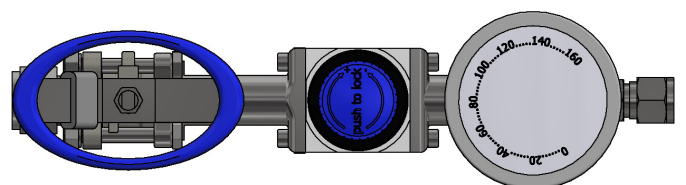
Insert -U at end of standard E-stick part number for mounting on adjustable mounting rail



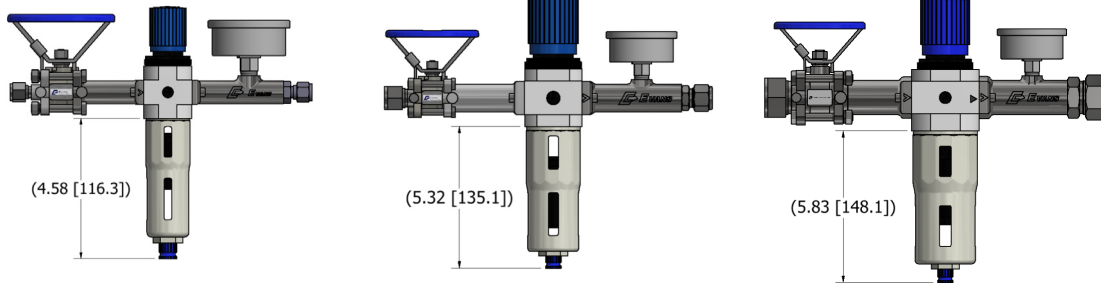
Standard Gauge Orientation



-90 Gauge Orientation



Optional 5 Micron Filter Specifications

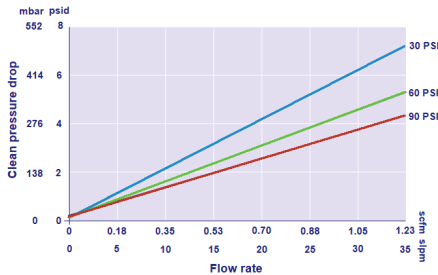


Optional Filter			
Working Medium	Compressed Filtered Air, N2		
Features of Structure	Sintered Filter with Water Separator, Diaphragm Type		
Assembly Position	Vertically +/- 5 degrees		
E-stick Size	ES 1/4" - 1/2"	EM 1/2" - 3/4"	EL 1"
Flow Rate / SLPM	1200	2500	2700
Grade of Filtration	5 Micron		
Inlet Pressure Range	14 - 174 psig (1 - 12 Bar)		
Working Pressure Range	3 - 174 psig (0.2 - 12 Bar)		
Max. Condensate Capacity	22 ml		
Temperature Range	32 - 140F (0 - 60C)		

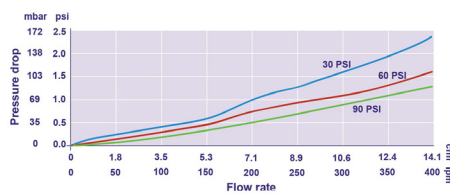
0.003 Micron PTFE Membrane Filter Specifications

- 99.9999999% efficient @ 0.003 microns
- 316L 10Ra electro-polished housing
- T9L Option rated to 30 SLPM
- T8L Option rated to 300 SLPM
- T58L Option rated to 25 SCFM
- T512L Option rated to 25 SCFM
- T416L Option rated to 70 SCFM

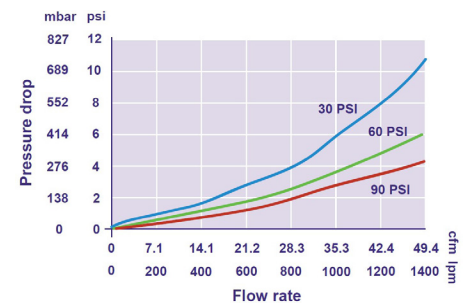
TEM GasPro 900 Filter



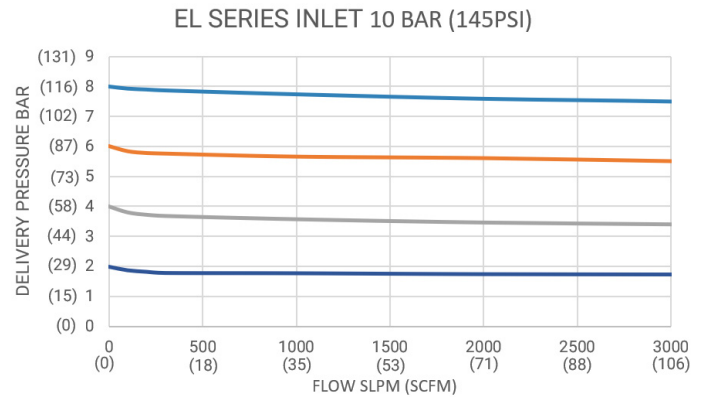
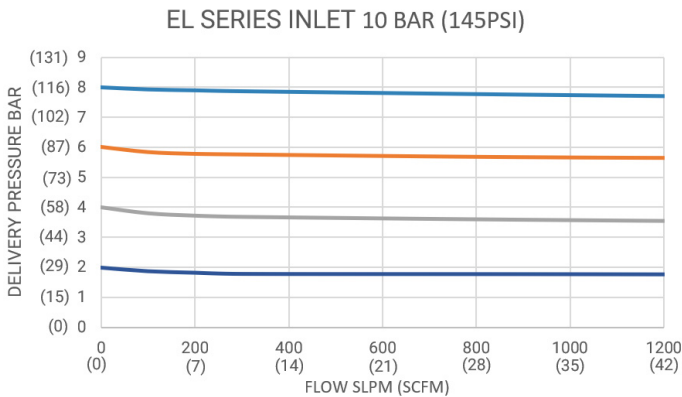
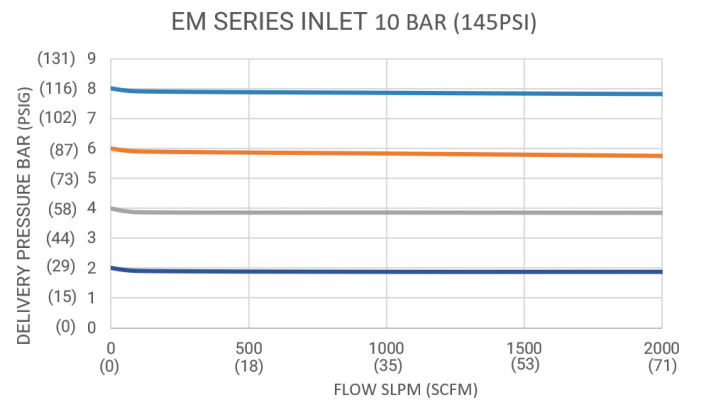
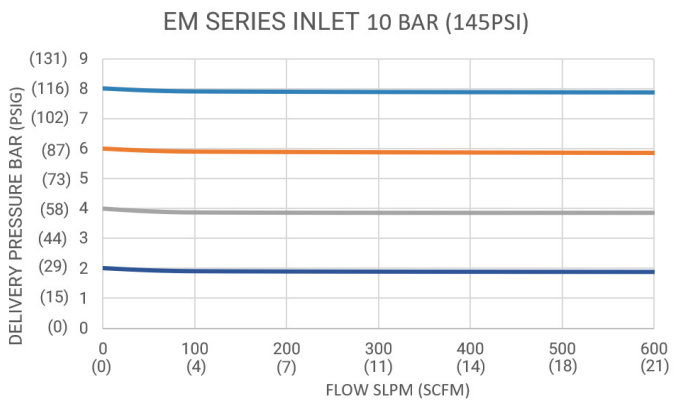
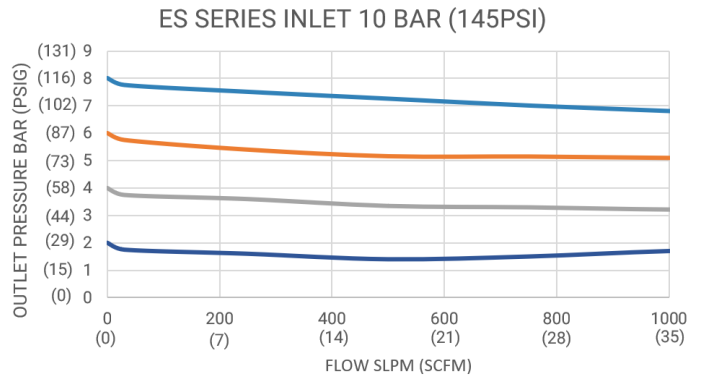
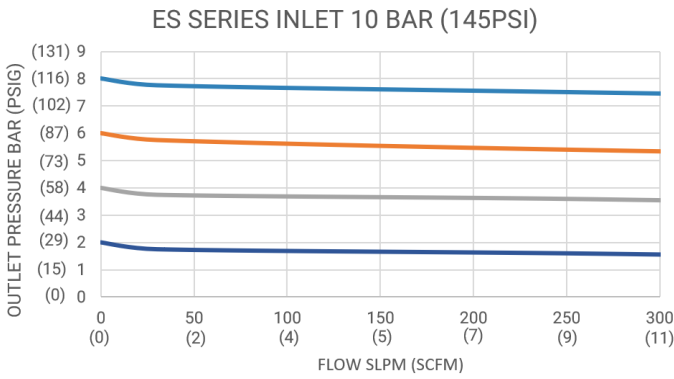
TEM GasPro 800 Filter



TEM GasPro 500 Filter



Flow Curves



* Individual colored lines in performance curves shown above represents regulator outlet delivery pressures, spring rating in regulator is unchanged

Learn more about related Evans Products

EVANS COMPONENTS | Evans PLT Series Presslok® Stainless Tube Fittings/Valves
Tube Size Range: 1/2" thru 4"



PRESSLOK® GO/NO-GO GAUGES

If Presslok® Go/No-Go Gauge slips over pressed section of fitting, press is acceptable.
If gauge does not slip over pressed section, press is unacceptable.



EVANS COMPONENTS | Evans 90 Series
"Full Bore" Mini-ball Valve



Features

- CFOS Cleaned
- Full bore design "all sizes"
- Locking Handle Option for LOT/O
- Size range 1/4" (6mm) thru 1" (25mm)
- Helium leak rated to 1 X 10⁻⁷ scc/sec
- Maximum pressure rated to 2000 psig/138 bar
- Low cost cast body design



EVANS COMPONENTS | Evans PW Series
1/2" thru 4" PCWS/R Hook-Up Sticks



Evans Custom Water Stick
Supply and Return Manifolds



www.evanscomponents.com

7606 SW Bridgeport Road
Portland, Oregon 97224

Office 971.249.1600

Fax 971.249.1601