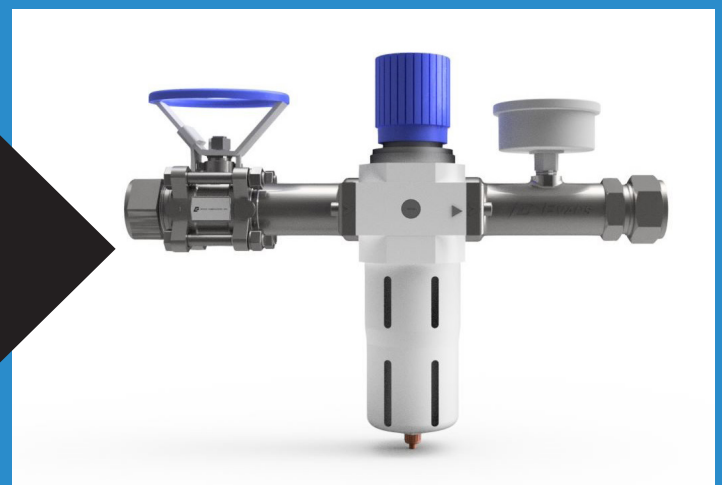




Options

- Available Size Range: 1/4" (6.4mm) thru 1" (25.4mm)
- Optional 5 Micron Sintered Filter



Features

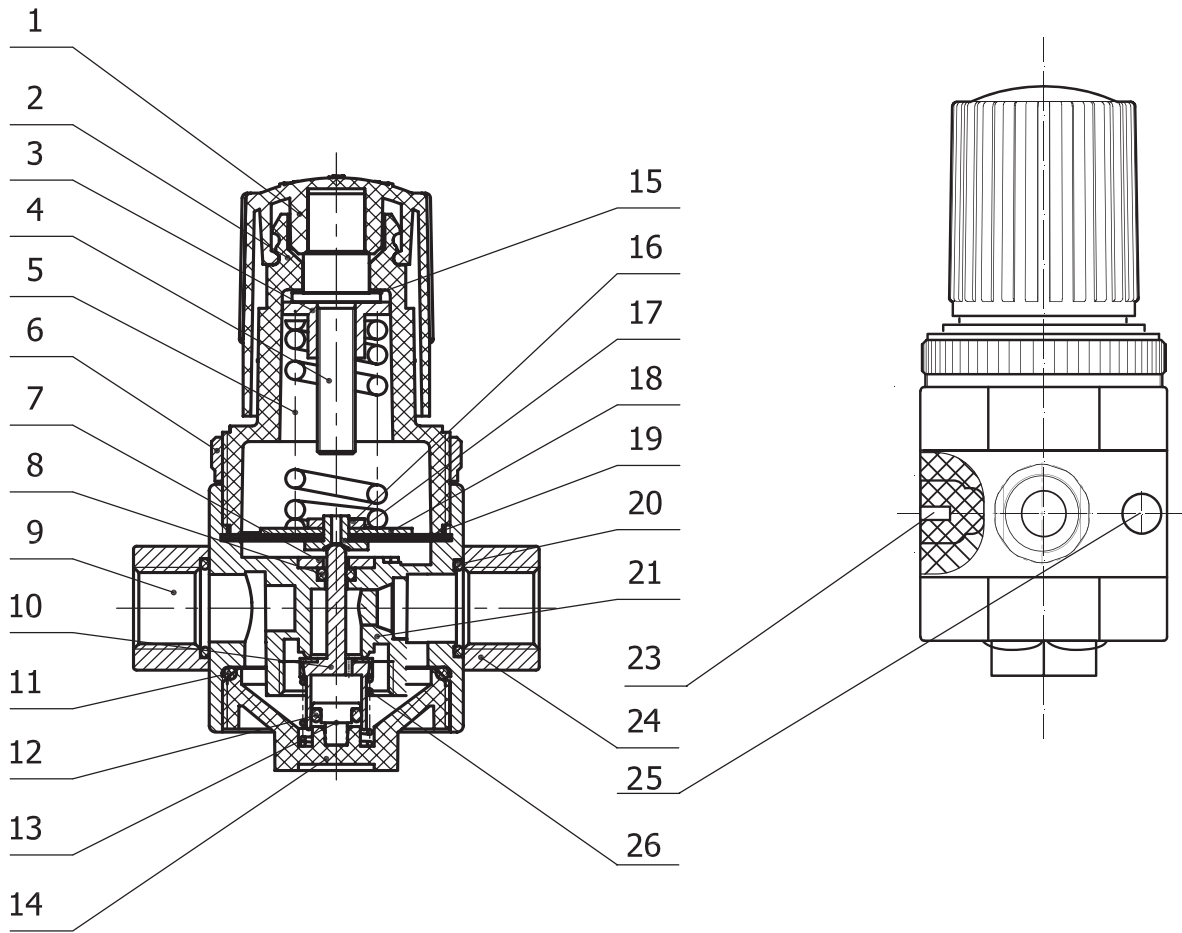


- Oxygen cleaned and packaged
- Self-relieving regulator design
- Low Cost
- Stainless ball valve with locking handles
- High flow medical grade Aluminum regulator with NBR (Nitrile/Buna N) diaphragm
- Push to lock regulator adjustment knob
- Reduced number of mechanical connections and potential leak points
- Stainless compression end connections, 1/4" - 1" (6.4 mm-25.4 mm)
- Full port ball valve design
- Gauge: 0-160 psig (0 - 11 bar), 2" dial, stainless steel design
- 100% Helium leak tested to 1 X 10⁻⁷ scc/sec
- Designed with enough clearance between components for Unistrut mounting with Cush Clamp
- Regulator can be isolated upstream with ball valve and removed from service if necessary

Series	Size Range	Max Inlet Pressure	Operating Temperature	Outlet Pressure Range
ES	1/4" - 1/2"	230 psig (16 Bar)	32°F to 140°F (0°C to 60°C)	5 - 175psig (0.5 - 12 Bar)
EM	1/2" - 3/4"	230 psig (16 Bar)	32°F to 140°F (0°C to 60°C)	5 - 175psig (0.5 - 12 Bar)
EL	1"	230 psig (16 Bar)	32°F to 140°F (0°C to 60°C)	5 - 175psig (0.5 - 12 Bar)

SERIES	Cv	Kv
ES	2.03	1.76
EM	8.13	7.03
EL	12.19	10.54

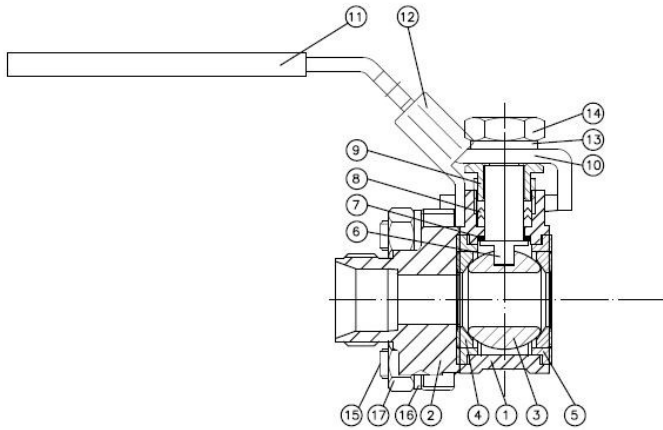
Regulator Materials of Construction



No.	Item	Material
1	Pressure Knob	POM
2	Regulator cap	POM
3	Regulator nut	S35C
4	Adjusting spindle	S35C
5	Pressure spring	SWC
6	Fixed ring	6061-T6
7	Membrane	NBR-(Nitrile)
8	O-Ring	NBR-(Nitrile)
9	Flange-IN	Zinc Alloy
10	Spool	Brass
11	O-Ring	NBR-(Nitrile)
12	O-Ring	NBR-(Nitrile)
13	Fasteners	Brass

No.	Item	Material
14	Cover	Zinc Alloy
15	Wearing sheet	Insulation sheet
16	Sheet	NBR-(Nitrile)
17	Overflow base	6061-T6
18	Diaphragm support	SPCC
19	Diaphragm	NBR-(Nylon)
20	O-Ring	NBR-(Nitrile)
21	OR Body	Zinc Alloy
22	Plug	POM
23	O-Ring	NBR-(Nitrile)
24	Flange-OUT	Zinc Alloy
25	Allen bolt	S35C
26	Spring	SWP-B

Ball Valve Materials of Construction



No.	Item	Material	QTY
1	Body	CF8	1
2	Cap2 (Lok)	CF8	1
3	Ball	CF8	1
4	Seat	PTFE	2
5	Gasket	PTFE	2
6	Stem	SS304	1
7	Stem Seal	PTFE	1
8	Stem Packing	PTFE	1
9	Gland Nut	SS304	1
10	Handle	SS304	1
11	Handle Sleeve	VINYL	1
12	Locking Device	SS304	1
13	Handle Washer	SS304	1
14	Handle Nut	SS304	1
15	Body Bolt	SS304	4
16	Washer	SS304	4
17	Nut	SS304	4

Part Number Matrix

SA - 1 - 23 - 4 - 5

EXAMPLE: SA-EM-8C-160-5M

Medium E-Stick with 1/2" compression ends, 0-160 gauge, 5 micron filter

SA - Stainless/Aluminum

1. Series

ES	Small	(1/4" - 1/2")
EM	Medium	(1/2" - 3/4")
EL	Large	(1")

2. Connection Size

4	1/4"	(6.4 mm)
6	3/8"	(9.6 mm)
8	1/2"	(12.7 mm)
12	3/4"	(19.1 mm)
16	1"	(25.4 mm)

3. Connection Type

C	Compression (Stainless)
M	Stainless tube stub
PL	Presslok
M	Male NPT
F	Female NPT

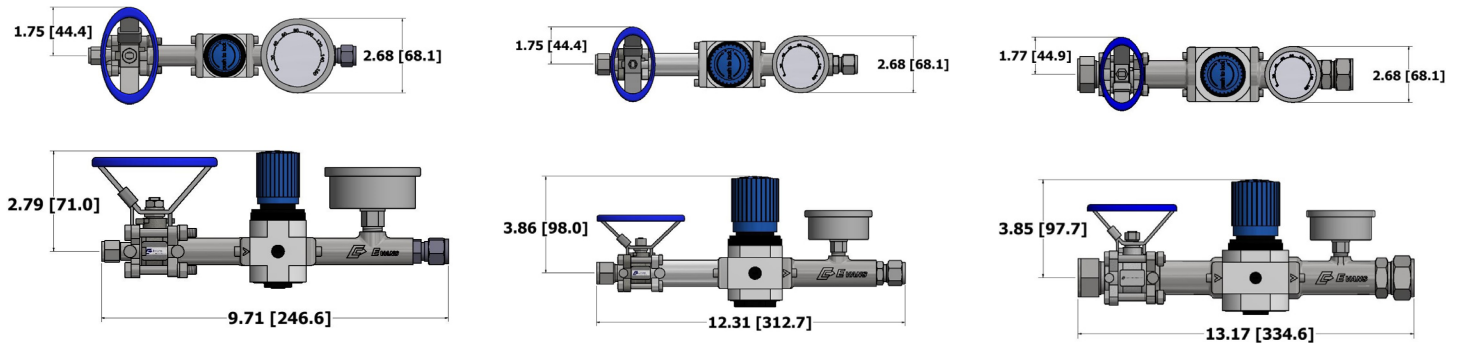
4. Gauge

160	0-160 psig (0-11 bar)
PT2	0-150psig (0-10.3 bar) Stainless pressure transducer, 4-20 mA (6 foot cable included)

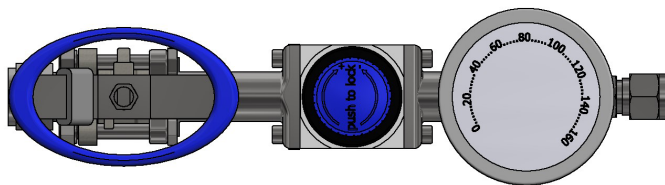
5. Options

5M	5 Micron Filter
X	No Filter
T9L	GasPro 811 filter (.003 micron) 1/4" (6.4 mm)
T8L	GasPro 811-8 filter (.003 micron) 1/2" (12.7 mm)
T58L	GasPro 511-8 filter (.003 micron) 1/2" (12.7 mm)
T512L	GasPro 511-12 filter (.003 micron) 3/4" (19.05 mm)
90	Gauge rotated 90° (see below)

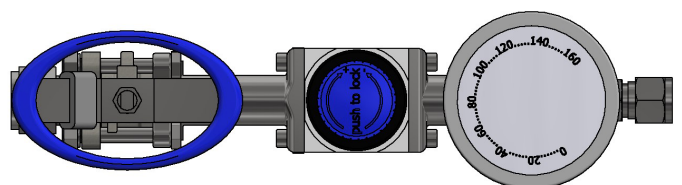
Dimensions



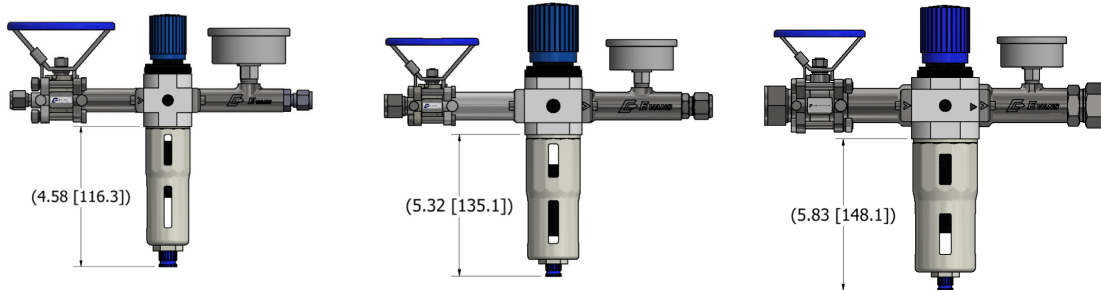
Standard Gauge Orientation



-90 Gauge Orientation



Optional 5 Micron Filter Specifications

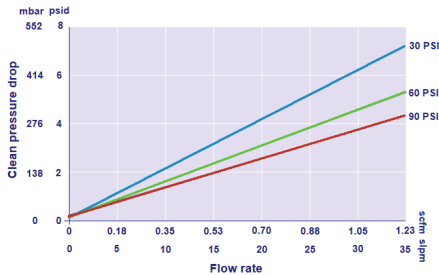


Optional Filter			
Working Medium	Compressed Filtered Air, N2		
Features of Structure	Sintered Filter with Water Separator, Diaphragm Type		
Assembly Position	Vertically +/- 5 degrees		
E-stick Size	ES 1/4" - 1/2"	EM 1/2" - 3/4"	EL 1"
Flow Rate / SLPM	1200	2500	2700
Grade of Filtration	5 Micron		
Inlet Pressure Range	14 - 174 psig (1 - 12 Bar)		
Working Pressure Range	3 - 174 psig (0.2 - 12 Bar)		
Max. Condensate Capacity	22 ml		
Temperature Range	32 - 140F (0 - 60C)		

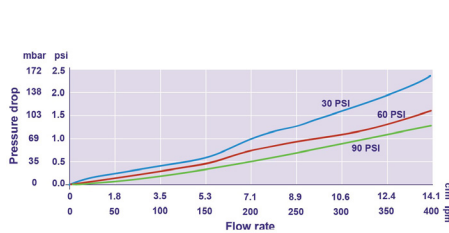
0.003 Micron PTFE Membrane Filter Specifications

- 99.9999999% efficient @ 0.003 microns
- 316L 10Ra electro-polished housing
- T9L Option rated to 30 SLPM
- T8L Option rated to 300 SLPM
- T58L Option rated to 25 SCFM
- T512L Option rated to 25 SCFM

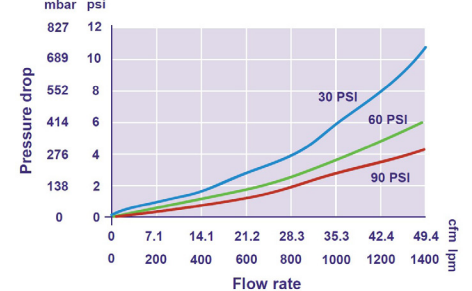
TEM GasPro 900 Filter



TEM GasPro 800 Filter

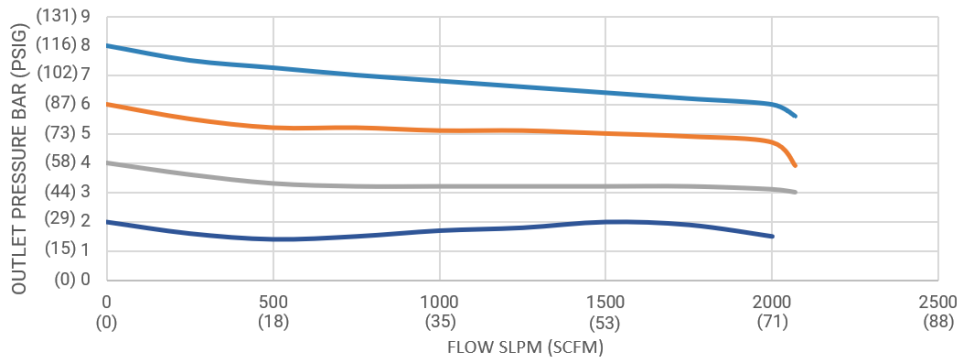


TEM GasPro 500 Filter

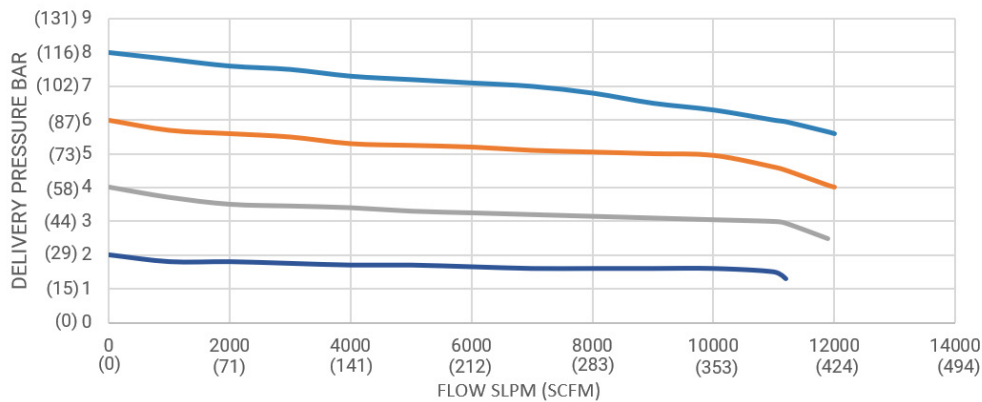


Flow Curves

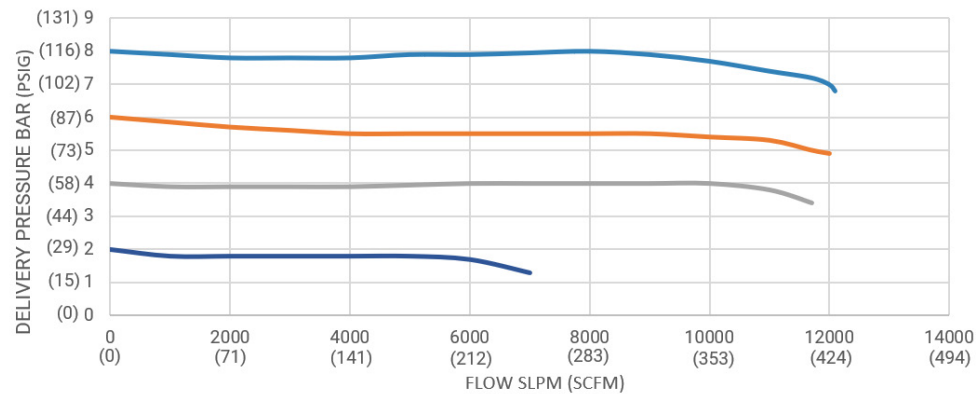
ES SERIES INLET 10 BAR (145PSI)



EM SERIES INLET 10 BAR (145PSI)



EL SERIES INLET 10 BAR (145PSI)



Learn more about related Evans Products

EVANS COMPONENTS | Evans PLT Series Presslok® Stainless Tube Fittings/Valves
Tube Size Range: 1/2" thru 4"



PRESSLOK® GO/NO-GO GAUGES

If Presslok® Go/No-Go Gauge slips over pressed section of fitting, press is acceptable.
If gauge does not slip over pressed section, press is unacceptable.

EVANS COMPONENTS | Evans 90 Series
"Full Bore" Mini-ball Valve



Features

- CFOS Cleaned
- Full bore design "all sizes"
- Locking Handle Option for LOT/O
- Size range 1/4" (6mm) thru 1" (25mm)
- Helium leak rated to 1 X 10⁻⁷ scc/sec
- Maximum pressure rated to 2000 psig/138 bar
- Low cost cast body design

EVANS COMPONENTS | Evans PW Series
1/2" thru 4" PCWS/R Hook-Up Sticks



Evans Custom Water Stick
Supply and Return Manifolds



www.evanscomponents.com

7606 SW Bridgeport Road
Portland, Oregon 97224

Office 971.249.1600

Fax 971.249.1601