



## Features

0 - 160 PSI / 0 - 140 F Bidicator

0-160 PSI gauge

0-100 PSI gauge

Stainless Steel Wetted Construction

Waterproof



# Evans PW Series 3.5" Bi-dicator



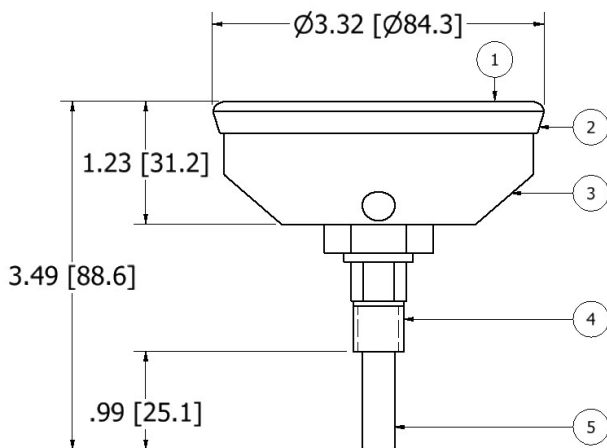
Dual Pressure/Temperature PCW Gauge

## Specifications

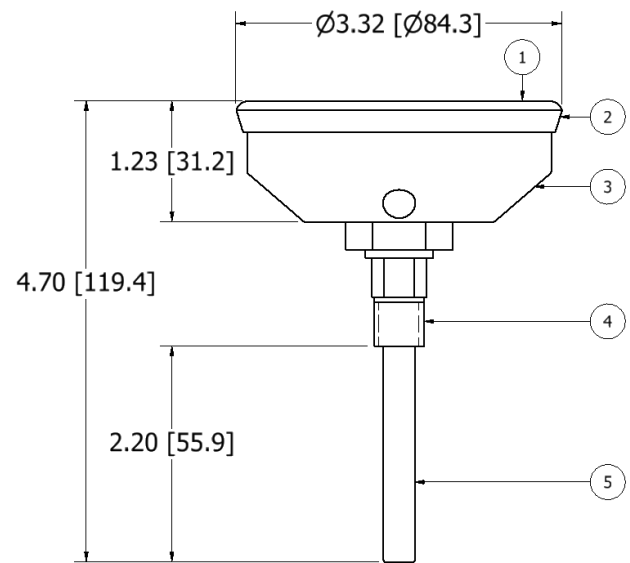
PRESSURE : 0 / 160 PSI (0 / 11 BAR)  
 TEMPERATURE : 0 / 140 F (-20 / 60 C)  
 ACCURACY: TEMPERATURE + / - 1.5%  
 ACCURACY: PRESSURE + / - 2.5%  
 STAINLESS STEEL WETTED CONSTRUCTION  
 WATERPROOF

MATERIALS LIST		
ITEM	NAME	MATERIAL
1	WINDOW	GLASS
2	BEZEL	SS304
3	CASE	POWDER COATED ALLOY
4	1/4" MNPT	SS304
5	STEM	SS304

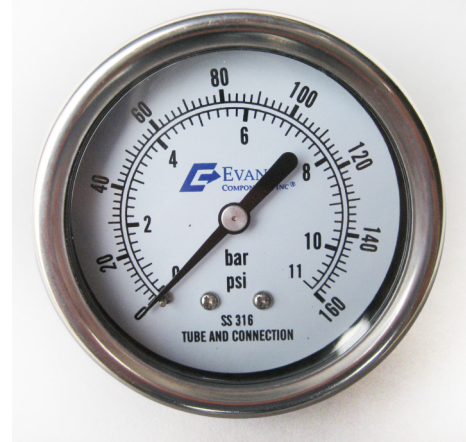
## Part Number: PW-WHT-6A



## Part Number: PW-WHT-6B



# Evans PW Series Pressure Gauge



## Specifications

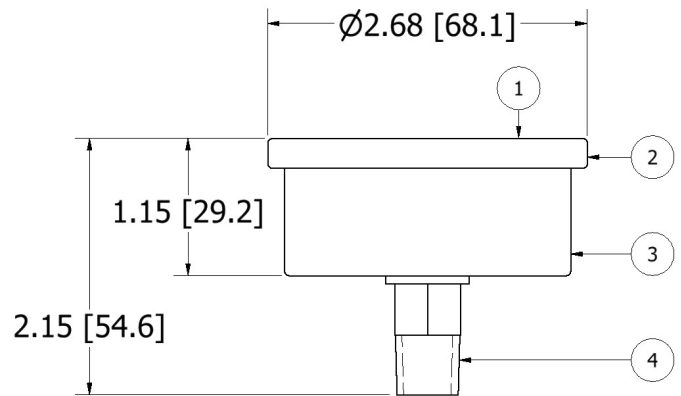
PRESSURE : 0-160 PSI (0-11) Bar

0-100 PSI (0-7) Bar

ACCURACY : PRESSURE + / - 2.5%

ALL STAINLESS STEEL WETTED COMPONENTS

WATERPROOF



## Part Numbers:

PG221CHNC-100 (0-100 psi)

PG221CHNC-160 (0-160 psi)

MATERIALS LIST		
ITEM	NAME	MATERIAL
1	WINDOW	GLASS
2	BEZEL	SS304
3	CASE	SS304
4	1/4" MNPT	SS304

## Learn more about related Evans Products



**Evans PW Series**  
1/2" thru 4" PCWS/R Hook Up Sticks



**Evans Custom Water Stick**  
Supply and Return Manifolds



**EVANS PW-HB Series**  
PROCESS COOLING WATER Tee's, Elbows, Manifolds  
& Flange's w/ Hose Barb Connections

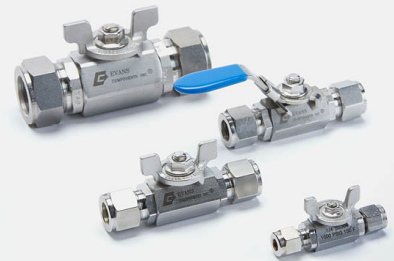


#### Features

- 1/4" - 2" Sizes
- 304L/316L SS welded construction
- All components pressure rated to 150 psig / 10 Bar max @ 185° F/ 85° C max.
- He leak tested to 1 x 10<sup>-3</sup> scq/sec
- All assemblies bagged and labeled in clean-room



**Evans SG-30 Series**  
3 pc 304L Mini Ball Valves



#### Features

- CF8S Cleaned
- Helium leak rated to 1 X 10<sup>-7</sup> scq/sec
- Economical one piece hex body design
- Compact, comes standard with butterfly handle
- Locking lever handle, optional
- Easy to operate, low torque



[www.evanscomponents.com](http://www.evanscomponents.com)

7606 SW Bridgeport Road  
Portland, Oregon 97224

**Office** 971.249.1600

**Fax** 971.249.1601