



## Features

- Bi-directional flow
- Directional handle indicating ON/OFF position
- Valves helium leak rated to  $1 \times 10^{-7}$  scc/sec.
- Encapsulated low dead space seat
- One piece body to eliminate multiple seal points
- Unique top-loaded capsule designed for easy seat packing adjustment while valve is in line
- CFOS cleaned, cleanroom packaged
- No lubricant

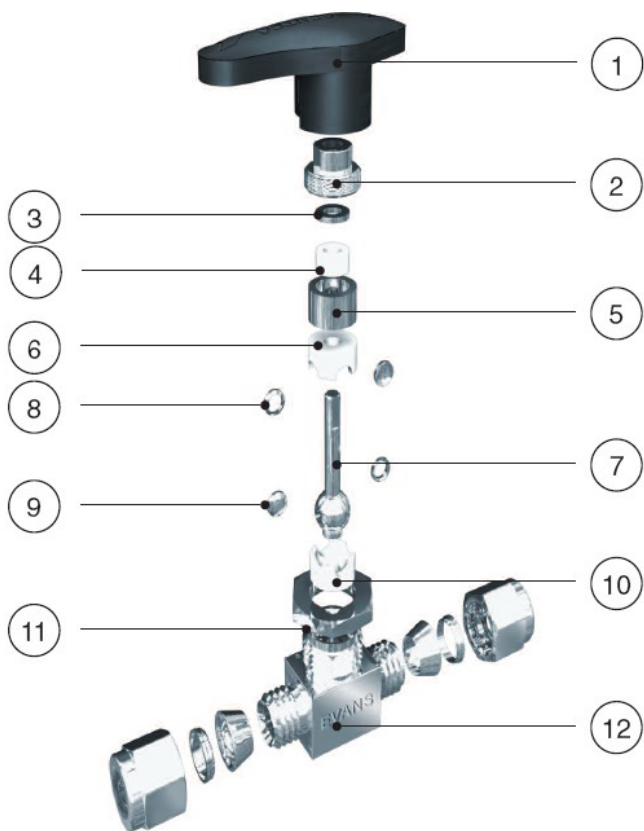


# Specifications



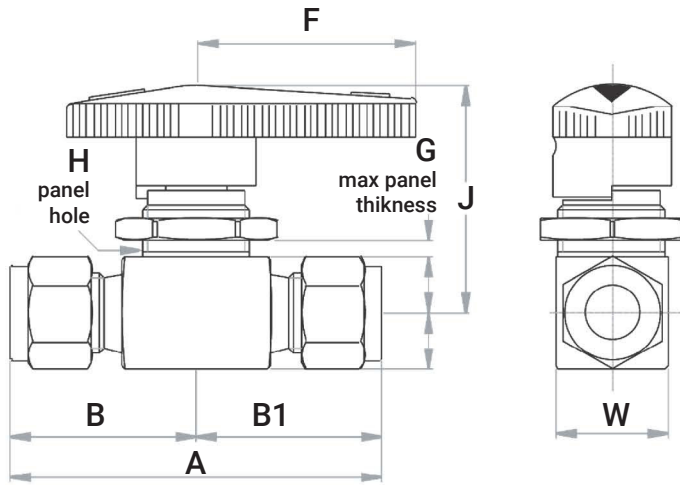
VALUE SERIES	PRESSURE RATING	TEMPERATURE RATING "80"
82	2500 PSIG (172 Bar)	50°F to 150°F (10°C to 65°C)
83	3000 PSIG (206 Bar)	
84,85	2500 PSIG (172 Bar)	

## Materials of Construction



Item	Description	Body Materials
		Material Grades / ASTM Specifications
1	Handles	ABS
2	Packing Bolt	316/A276
3	Upper Gland	316/A276
4	Bushing	TFM1600
5	Lower Gland	316/A276
6	Upper Packing	TFM1600
7	Ball Stem	316/A276
8	Side Rings	316
9	Slide Discs	(Fluorocarbon coating)
10	Lower Packing	TFM1600
11	Panel Nut	316/A276
12	Body	316/A276

# Dimensions



**Straight Pattern**

Flow Coefficient (Cv)	Pressure Drop to Atmosphere ( $\Delta p$ ), psi (bar)					
	10 (0.68)	50 (3.40)	100 (6.80)	10 (0.68)	50 (3.40)	100 (6.80)
	Air Flow std ft <sup>3</sup> /min (std L/min)			Water Flow U.S. gal/min (std L/min)		
0.06	0.7 (19)	1.8 (50)	3.2 (90)	0.2 (0.7)	0.4 (1.5)	0.6 (2.2)
0.08	0.9 (25)	2.4 (67)	4.3 (120)	0.3 (1.1)	0.6 (2.2)	0.8 (3.0)
0.20	2.3 (65)	6.0 (160)	11 (310)	0.6 (2.2)	1.4 (5.2)	2.0 (7.5)
0.60	6.8 (190)	18 (500)	32 (900)	1.9 (7.1)	4.2 (15)	6.0 (22)
0.90	10 (280)	27 (760)	48 (1,300)	2.8 (10)	6.4 (24)	9.0 (34)
1.50	17 (480)	45 (1,200)	80 (2,200)	4.7 (17)	11 (41)	15 (56)
2.40	27 (760)	72 (2,000)	120 (3,300)	7.6 (28)	17 (64)	24 (90)
2.60	29 (820)	78 (2,200)	140 (3,900)	8.2 (31)	18 (68)	26 (98)
6.00	68 (1,900)	180 (5,000)	320 (9,000)	19 (71)	42 (150)	60 (220)
6.30	71 (2,000)	190 (5,300)	330 (5,300)	20 (75)	45 (170)	63 (230)
6.40	72 (2,000)	190 (5,300)	340 (9,600)	20 (75)	45 (170)	64 (240)
12.0	130 (3,600)	360 (10,000)	640 (18,000)	38 (140)	85 (320)	120 (450)

End Connections Size	Basic Ordering Number	Cv	Dimensions, in. (mm)										
			Orifice	A	B	B1	D	E	F	G	H	J	W
1/4" (6.35 mm)	SS-82S4	0.6	0.125 (3.2)	2.40 (61.0)	1.20 (30.5)								
	SS-83S4	2.4	0.187 (4.8)										
3/8" (9.53 mm)	SS-83S6	1.5		2.58 (65.5)	1.29 (32.8)								
	SS-84S6	6.0	0.281 (7.1)	3.05 (77.5)	1.52 (38.7)								
1/2" (12.70 mm)	SS-85S8	12	0.406 (10.3)	3.92 (99.6)	1.96 (49.8)								
3/4" (19.05 mm)	SS-85S12	19		3.98 (101.1)	1.99 (50.6)								

## Learn more about related Evans Products

**EVANS COMPONENTS** | Evans Ball Valves  
High Purity 304/316 Stainless



**BA-SG Series**

- 1/4" - 24" and (15A-489A) Sizes
- CFOS Cleaned and Bagged
- Integrated Valve Assemblies
- Standard Spool Assemblies & Custom Spool Lengths (Customer Specified In Feet)
- 100% Helium Leak Tested



**EVANS COMPONENTS** | Evans PLT Series Presslok<sup>®</sup> Stainless Tube Fittings/Valves  
Tube Size Range: 1/2" thru 4"



**PRESSLOK<sup>®</sup> GO/NO-GO GAUGES**

If Presslok<sup>®</sup> Go/No-Go Gauge slips over-pressed section of fitting, press is acceptable.  
If gauge does not slip over pressed section, press is unacceptable.



**EVANS COMPONENTS** | Evans SS-G & GXL Series  
Integrated Stainless Gas Sticks



**G & GXL Series Features**

- 316SS CF8M Body Construction
- CFOS Cleaned and packaged in cleanroom
- 2-PC Design G-series allows for isolation and removal of regulator



[www.evanscomponents.com](http://www.evanscomponents.com)

7606 SW Bridgeport Road  
Portland, Oregon 97224

**Office** 971.249.1600

**Fax** 971.249.1601